

TRUMPF | uniPORT

A different kind of ceiling pendant



INNOVATIONS FOR PATIENT CARE

TRUMPF



uniPORT – the new definition of patient care

At the beginning was the idea...

We wanted to develop a ceiling pendant that makes work in the intensive care unit easier. A pendant that provides optimum service during operations. A pendant that is filigree in appearance, but with hidden strength. A ceiling pendant, which blends perfectly into the room. A pendant that can integrate new technologies. We wanted it even to look completely different. More elegant. More aesthetic. In fact, it should create a new atmosphere! Is that even possible?

Let us introduce uniPORT.

New concept

for more efficient patient and equipment management

Modular construction

so that uniPORT can grow with your demands

Unique colour concept

creates a pleasant atmosphere for patients and staff

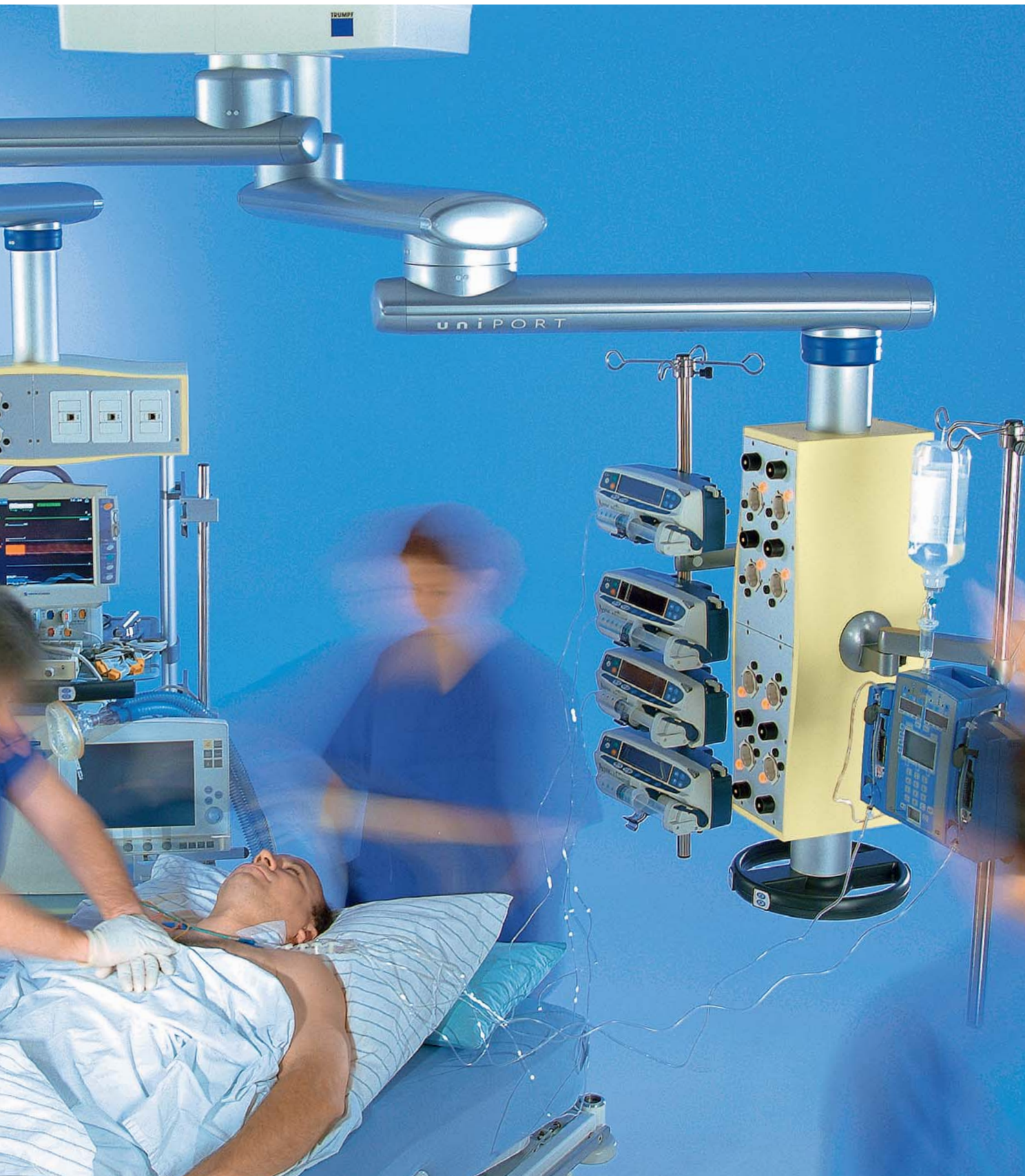
Best quality and maximum safety

in the tradition of TRUMPF

Favourable cost structure

for individual requirements





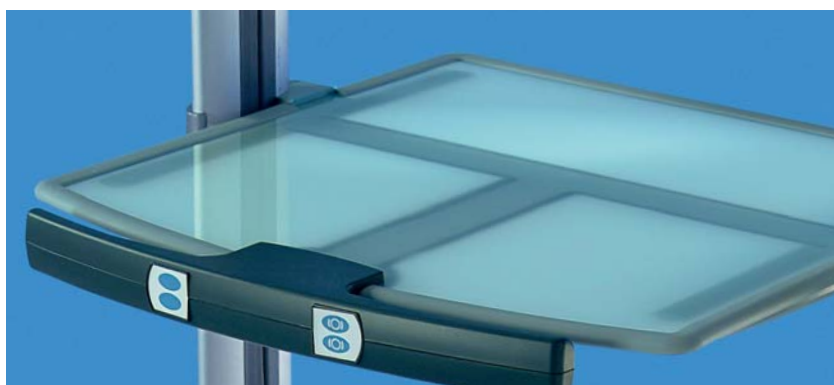
Successful space management – the guarantee of an unimpeded workflow

Greater freedom of movement.

In contrast to media bridges and wall rails, ceiling pendants allow free access to all sides of the patient.

Flexible design for individual requirements.

uniPORT ceiling pendants can be perfectly adapted to suit the specific requirements of your workplace. With various, freely combinable arm lengths and individually adjustable stops, uniPORT can be adapted to suit every room. Smooth-running joints, user-friendly brakes and the multifunctional support head, which can be fixed horizontally or vertically, provide free space where it is needed.

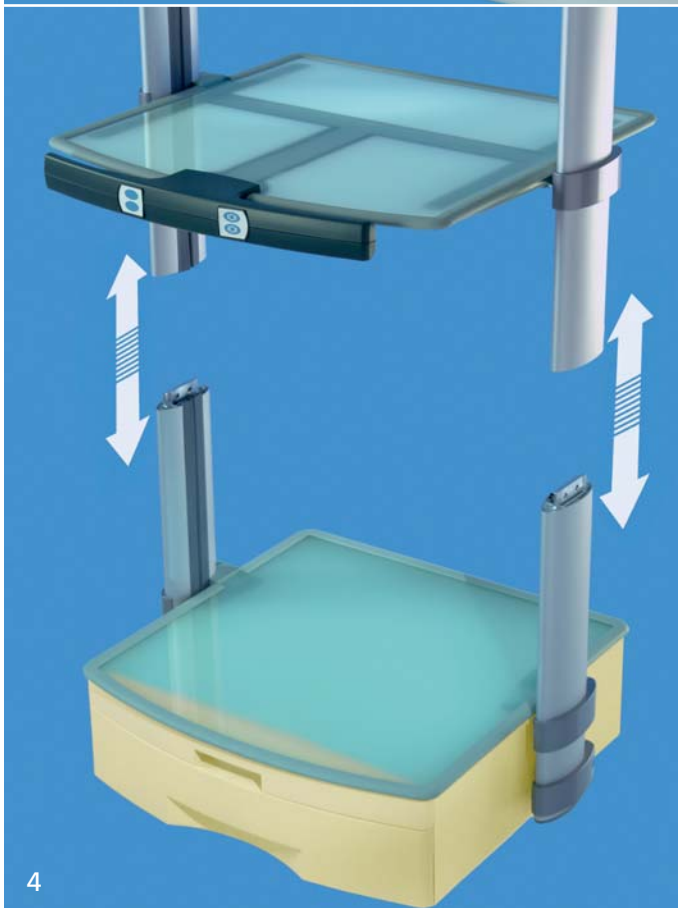
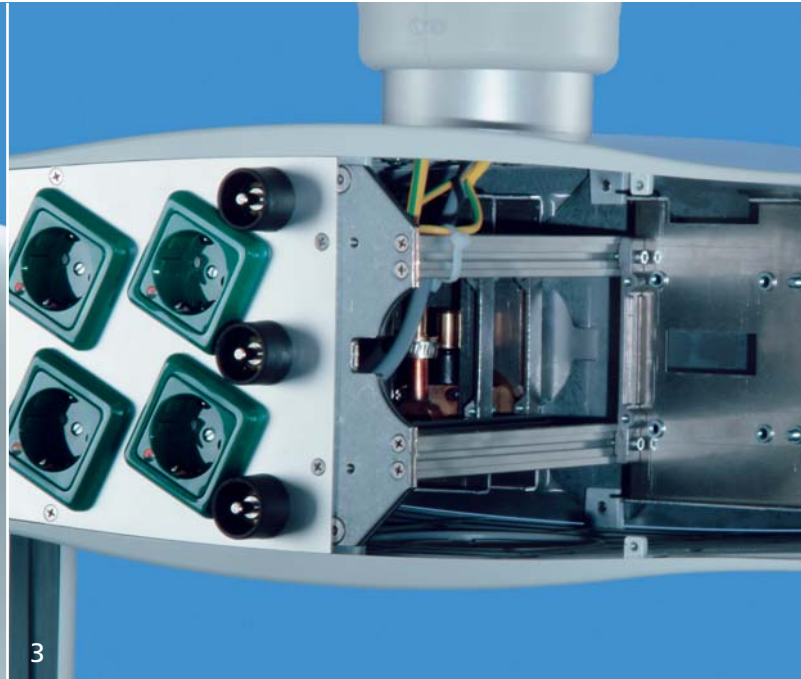


80 kg payload – no problem for uniPORT.

The innovative design of the arm profile and the use of robust aluminium alloys make uniPORT ceiling pendants lightweight and strong at the same time. Here we have used the latest findings in metallurgy.

Careful selection of materials.

The materials we use guarantee years of service and easy cleaning – in compliance with the strict rules of hygiene in the intensive care unit and operating theatre. Excellent: The semitransparent composite safety glass of the equipment shelves is especially suited for disinfection by wiping, thus setting new hygiene standards in the fight against bacterial infections.



2. Interface to the future: Extremely wide bearings can accommodate large quantities of cables and tubes. Larger cutouts allow direct and immediate access for service work. Arms and ceiling pendants are grounded.

3. More component options – easy access for service purposes – spatial separation of gas and electricity.

4. The extension set allows the subsequent addition of drawers and equipment shelves.

5. Hygienic, safe and ergonomically optimised: the innovative cable management system.

Lots of space for new medicine: the arm profiles.

Thanks to the stability of the aluminium profile, the slender carrying arms of the uniPORT provide plenty of space for cables, tubes and all other lines required in modern medical technology. Safety first: arms and ceiling pendants are grounded.

Unsurpassed component capacity: the support head.

Up to 8 gas outlets, 12 electrical sockets and 2 communication interfaces can be integrated depending on the respective national specifications and customer requirements. The vertical support head opens up new paths in patient care: the infusion side can also be fitted with gas outlets, electrical and communication sockets.

Future-proof with the extension set.

You need more space for equipment? A new device is taller than the last one? You want to extend the operation range of your ceiling pendant? No problem. The extension set allows for the addition of the necessary shelves – without any major installation work.



Even more flexible with height adjustment.

With the motorised, height-adjustable carrying arm, uniPORT can also be used in the operating theatre: 40 kg payload and a high degree of mobility are the ideal conditions for the cost-effective installation of operating theatres and outpatient departments.





1. Clearly laid out, flexible and ergonomically optimised for low and intermediate care: uniPORT 1378 tandem version with arm lengths of 865 and 600 mm.

Ergonomics at work – uniPORT's new operation concept

Perfect collaboration: man and technology.

The requirements of ergonomics were our guiding line in the development of uniPORT: simple and safe operation of all equipment, direct access to the patient, fatigue-free working. The result: uniPORT adapts perfectly to your individual requirements in the arrangement of workstations and work sequences.

Only from TRUMPF: active brake system.

uniPORT is easy to move – and just as easy to stop. The brakes are active without compressed air – this is only needed to release them. Important in earthquake zones: even in the event of air pressure failure, the carrying arms remain securely fixed in position. The thrifty use of compressed air has further advantages: low noise and low wear.



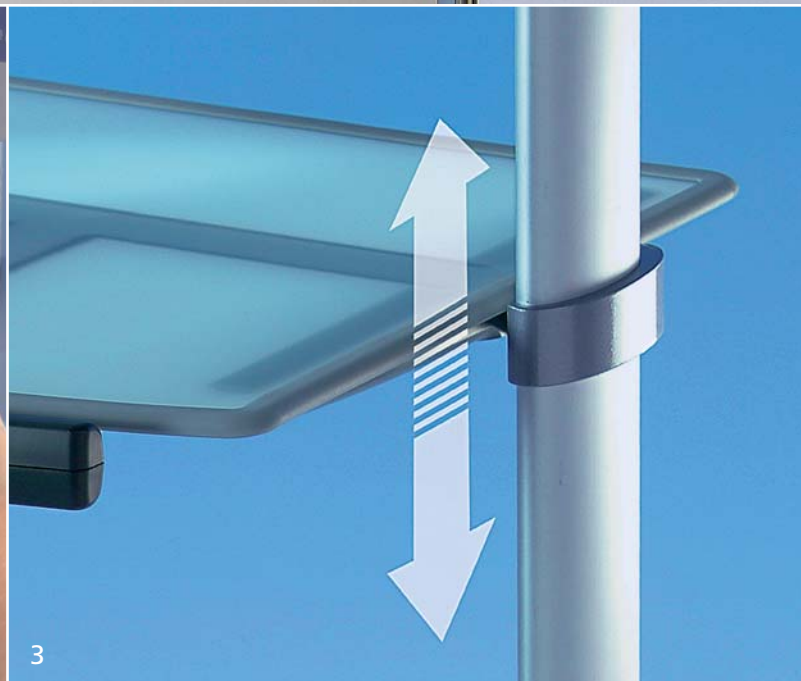
Easy positioning – from all sides.

TRUMPF is the first manufacturer to offer the TruWHEEL: the unique, round control handle is located below the support head. All of the function keys are provided double. They are easy to reach even from the head of the bed so that the system can be quickly moved to the necessary position in critical situations.



Continuously adjustable work heights.

With the innovative clamp for continuously adjustable height adjustment, you can position the equipment shelves according to your requirements. The right posture for all activities, devices at eye level – uniPORT allows an ergonomic work posture for people of all sizes.



1. Example: respiration. Nothing is hindering the lifesaving work at the head of the bed.

2. Straight control handle on the aluminium shelf for simple and safe positioning.

3. Flexible work heights: continuously and directly adjustable.

Colour has a positive effect – on staff and patients



Colour diminishes anxiety and gives support.

It is not only the effect of individual colours, which has an influence on the atmosphere of a room and the well being of the people in it, but also the different accentuation of the colours. Soft yellow communicates optimism. The silver of the carrying arms allows the threatening technology to blend elegantly into the background. And the colourful Harlequin is almost like a playmate in the children's ward.

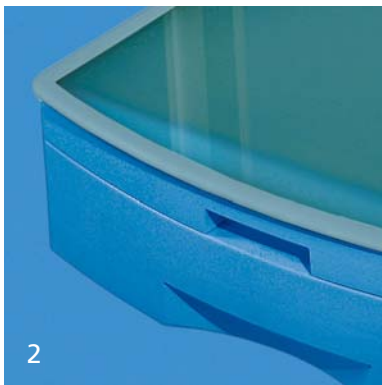
New colour concept for a pleasant atmosphere.

What we all know in our hearts and souls has long been confirmed by scientists: colours influence how we feel. It has been verified that the recovery times of patients are affected by the atmosphere of their direct environment. A monotonous white colour scheme will actually delay the convalescence process. It has also been

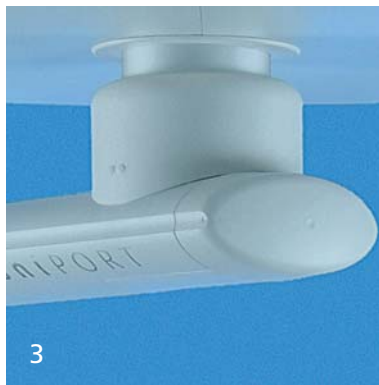
proven that personnel absenteeism can be reduced by up to 50 % by changing the colours of workplaces. This means that the correct use of colour will actually save costs in the long term. For uniPORT we have developed a colour concept, which supports both the patients and the hospital personnel: in convalescing and in curing.



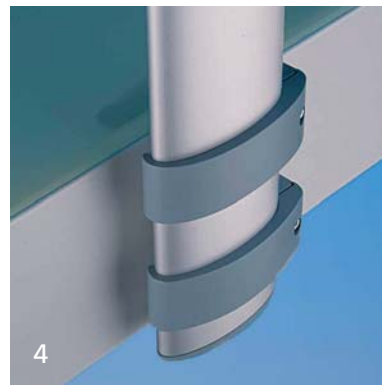
1



2



3



4

1. The colour concept of the Harlequin is especially designed for neonatology and the paediatric intensive care unit.

2./3./4. The new uniPORT colours create a friendly atmosphere and communicate a sense of safety and warmth.

Maximum quality – from the concept to the accessories



1. *Expertly worked, smooth running and generously dimensioned: the drawer module with ball-bearing guide rails can be fully pulled out and is self-closing.*

2. *Practical: suspension facility for optimum fluid management.*

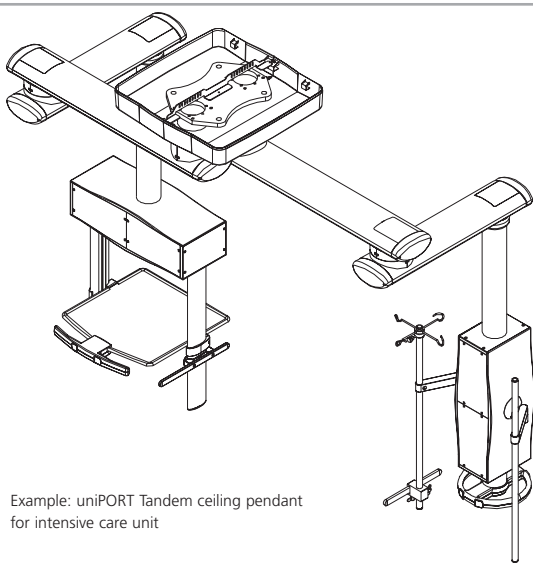


A wide range of accessories – ergonomic and hygienic.

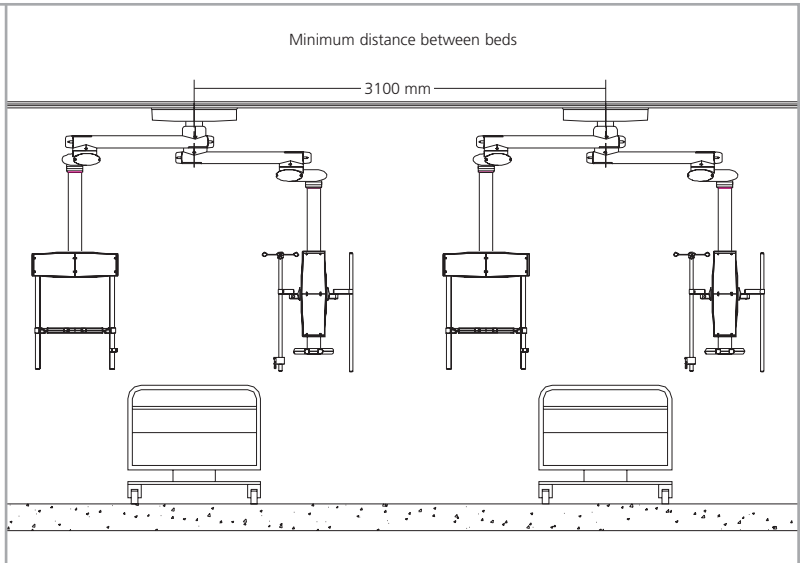
Shelves with optional integrated impact protection, drawer modules, steplessly height-adjustable equipment rails, pump rod arms, equipment carrier rods, bottle hooks – a wide range of accessories is available for uniPORT.

High-quality materials – perfect workmanship.

Not only the technology, but also the workmanship of uniPORT is first class. High precision and hardwearing materials guarantee optimum conditions for perfect hygiene and a long service life. In this respect we are fully in the tradition of German Engineering. Test the quality of our products for yourself.



Example: uniPORT Tandem ceiling pendant for intensive care unit



TRUMPF

Medizin Systeme GmbH + Co. KG

Benzstrasse 26
82178 Puchheim
Germany
Telephone +49 (0) 89 / 8 09 07-0
Telefax +49 (0) 89 / 8 09 07-20
e-mail info@de.trumpf-med.com
www.trumpf-med.com

TRUMPF Medizin Systeme GmbH

Carl-Zeiss-Strasse 5
07318 Saalfeld
Germany
Telephone +49 (0) 36 71 / 5 86-0
Telefax +49 (0) 36 71 / 5 86-1 65
e-mail info@de.trumpf-med.com
www.trumpf-med.com

TRUMPF MED ITALIA s.r.l.

Via C. Battisti, 31/C
35010 Limena – PD
Italy
Telephone +39 0 49 - 8 84 38 00
Telefax +39 0 49 - 8 84 11 24
e-mail areaclienti@it.trumpf-med.com
www.it.trumpf-med.com

TRUMPF AMSA SAS

146, Bd Charcot
BP 477
63013 Clermont-Ferrand cedex 1
France
Telephone +33 (0) 4 73 19 50 50
Telefax +33 (0) 4 73 37 29 31
e-mail trumpf-amsa@trumpf-amsa.com
www.fr.trumpf-med.com

TRUMPF Medical Systems Ltd.

The Granary Pinkney Park
Malmesbury · Wiltshire · SN16 0NX
Great Britain
Telephone +44 (0) 16 66 84 10 01
Telefax +44 (0) 16 66 84 10 08
e-mail info@trumpf-med.co.uk
www.uk.trumpf-med.com

TRUMPF Medical Systems, Inc.

415 Jessen Lane
Charleston, SC 29492
USA
Telephone +1 (843) 5 34 06 06
Telefax +1 (843) 5 34 02 06
e-mail info@us.trumpf-med.com
www.us.trumpf-med.com

TRUMPF

**Medizin Systeme GmbH & Co. KG
(Singapore)**

3791 Jalan Bukit Merah #09-21
Singapore 159471
Telephone +65 62 72 - 78 68
Telefax +65 62 75 - 78 68
e-mail sales@sg.trumpf-med.com
www.sg.trumpf-med.com

TRUMPF

Medical Systems Ltd.

Shanghai Representative Office
11H, Century Ba-Shi Building
398 Huai Hai Zhong Road
Shanghai 200020
P.R. China
Telephone +86 21 63 85 10 38
Telefax +86 21 63 85 16 60
e-mail info@cn.trumpf-med.com
www.trumpf-med.com



INNOVATIONS FOR PATIENT CARE

