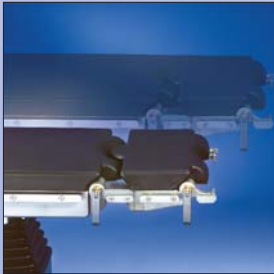


TRUMPF Medizin Systeme

Ahead of its time



SATURN Select

TRUMPF





SATURN Select

■ Modular table top

The table top may comprise up to nine segments, and incorporates the universal coupling point system that allows easy and flexible adaptation to all patient sizes and position variations, thereby ensuring anatomically correct patient positioning at all times.

■ Adapters for all surgical disciplines

As the modular the table top concept familiar from the JUPITER and MARS operating tables has also been used for the SATURN Select, the table can be quickly made ready to meet the requirements of all surgical disciplines. These include urology/gynaecology, ENT, neurosurgery, ophthalmology, thoracic surgery, orthopaedics and traumatology. Costly investment in additional specialised OR tables can be avoided.

■ Optimum price-performance ratio

The high-quality materials used for manufacturing the SATURN Select, such as stainless steel and integrally foamed, fully electrically conductive Comfort Plus pads meet highest safety and hygiene requirements in the operating theatre. Together with the ease of use and the broad range of applications, the SATURN Select offers a price-performance ratio that is unrivalled in its class.

■ Fit for heavy loads

With a maximum permissible patient weight of 225 kg, the SATURN Select can cope with even very heavy patients.



Longer x-ray translucent area of the table top through additional seat section extension



Excellent x-ray translucence and precise positioning under the c-shaped frame through longitudinal adjustment of the table top



Flexible extension unit for orthopedic and traumatology



Optionally available with integrated body elevator



Optimal adaptability to patients of all sizes



All options



r orthopaedics
ogy



Easy motorised adjustment of height, Trendelenburg/Anti-Trendelenburg and lateral tilt

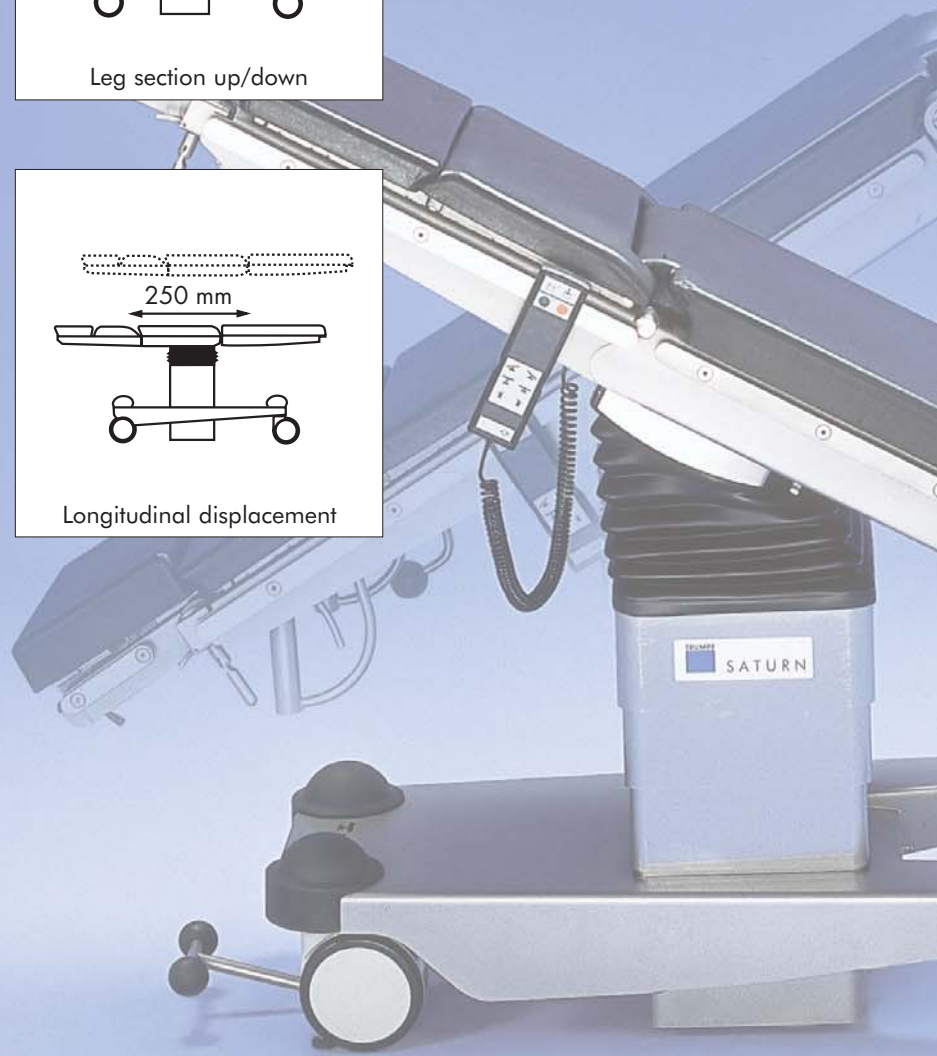
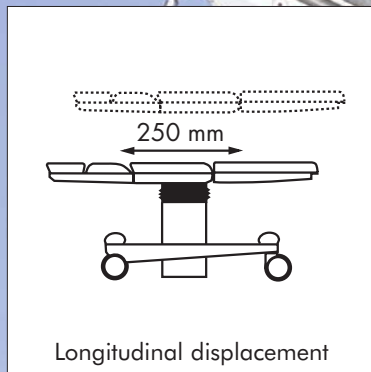
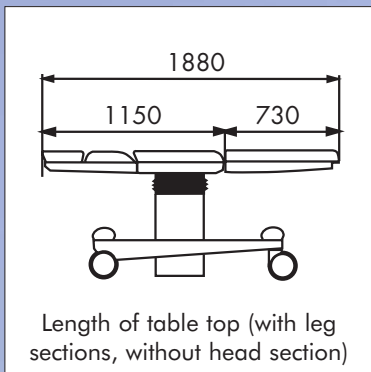
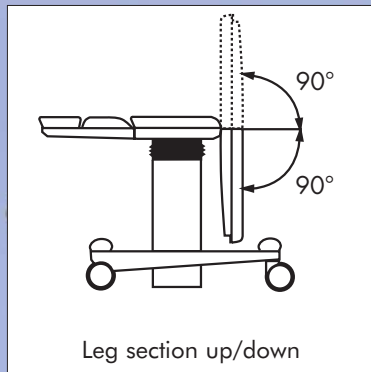
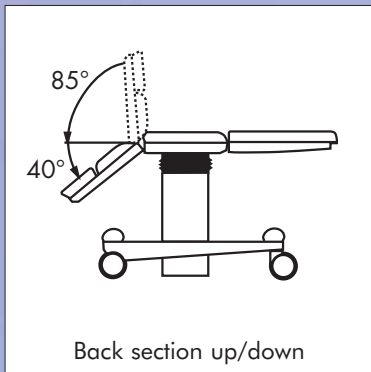
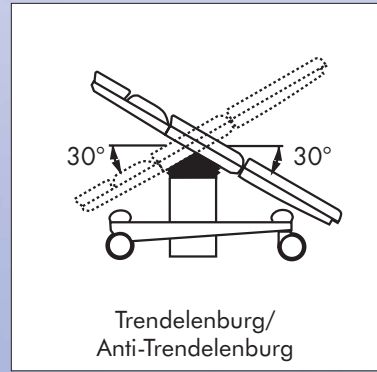
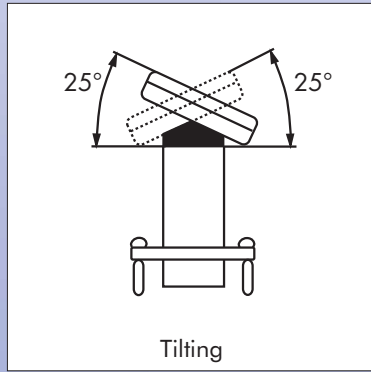
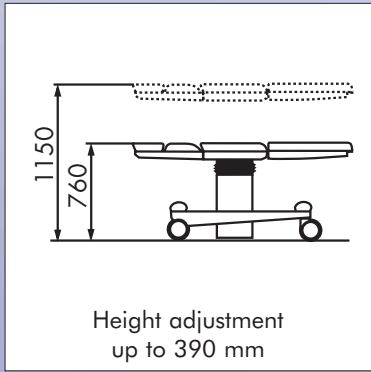


Operated either via IR remote control, cable remote control, foot switch or operating panel on the column

- **Freedom of movement for the feet**
 - Successfully designed running gear for best possible space utilisation, stability, and optimal working conditions provided by a high degree of freedom of movement for the feet



Computer assisted service and remote diagnosis via modem link



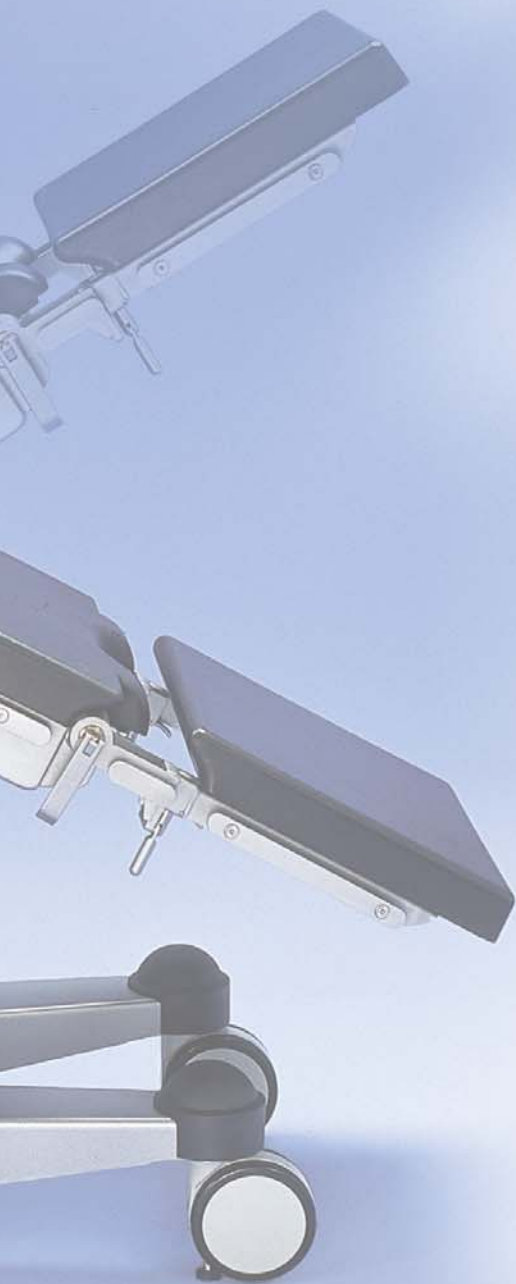
Setting ranges

■ Large ranges of adjustment

Such large ranges of adjustment are in a class of their own. A brief overview of the extraordinary features:

- Trendelenburg/Anti-Trendelenburg adjustment up to 30°;
- Lateral tilting up to 25°;
- Range of height adjustment 390 mm.

Please refer to the illustrations on the left hand side for further details of the ranges of adjustment.

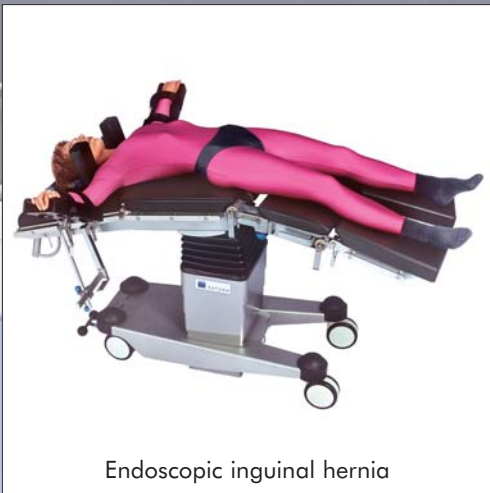




Abdomino-sacral rectum amputation



Mammoplastic surgery
(semi-seated)



Endoscopic inguinal hernia

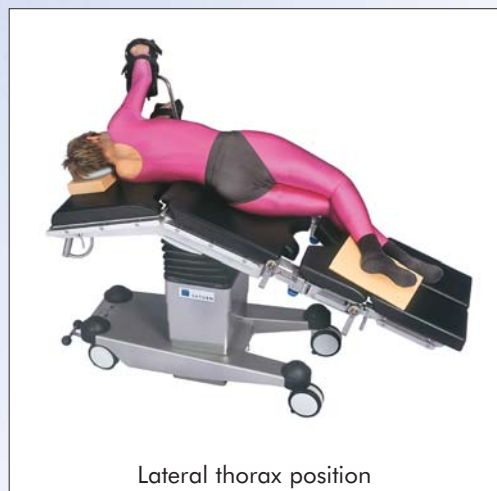


Struma position

Patient positioning

Patient positioning

- General surgery





Femoral extension in a supine position



Femoral extension in a supine position



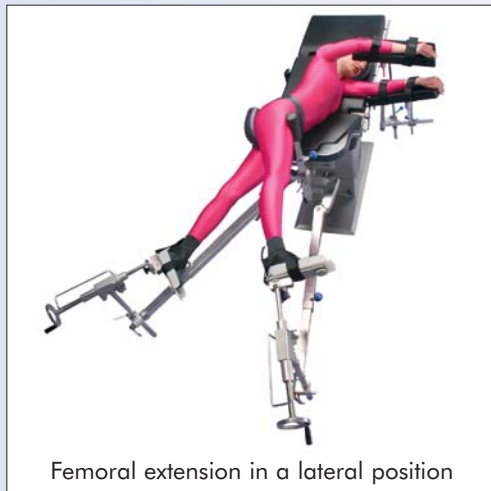
Tibia extension



Tibia extension



Femoral extension in a lateral position



Femoral extension in a lateral position

Patient positioning

- Traumatology and Orthopaedics



Hand surgery with hand table



Prone upper arm positioning



Hip operation with extension adapter



Plenty of room for the operating team to perform a varicectomy

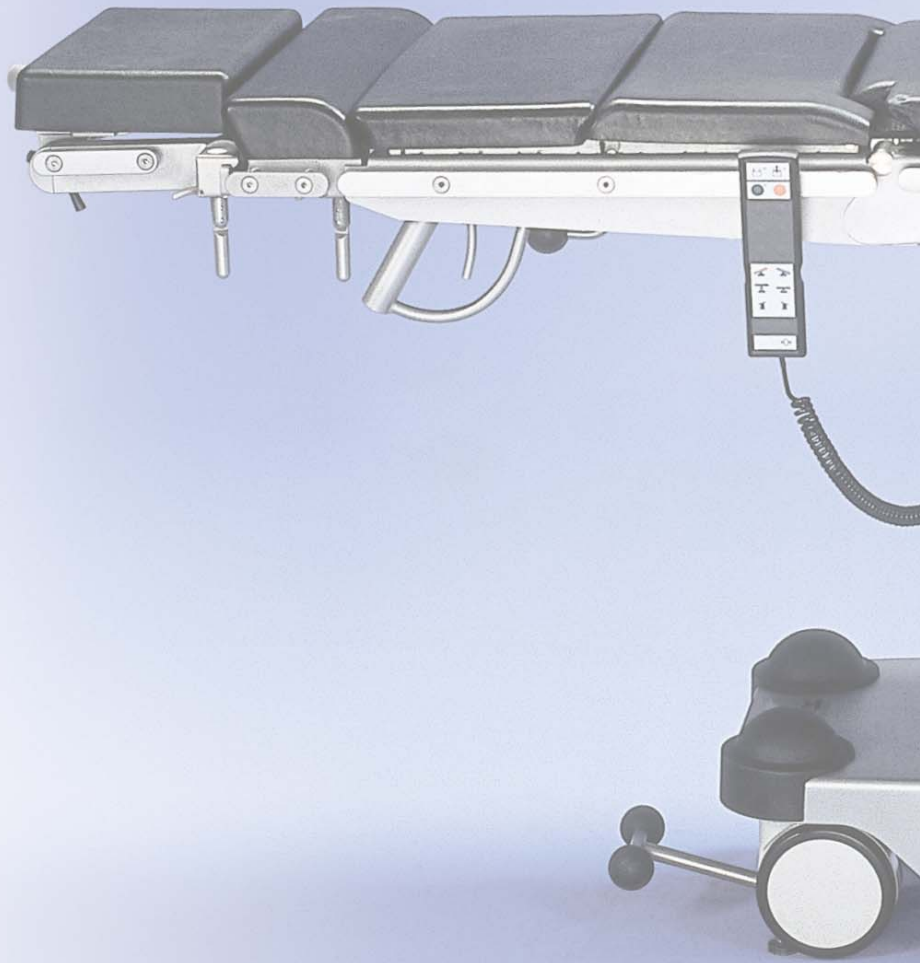


Vascular surgery



Cardiosurgery

■ Cardio and Vascular Surgery



Patient positioning

Patient positioning

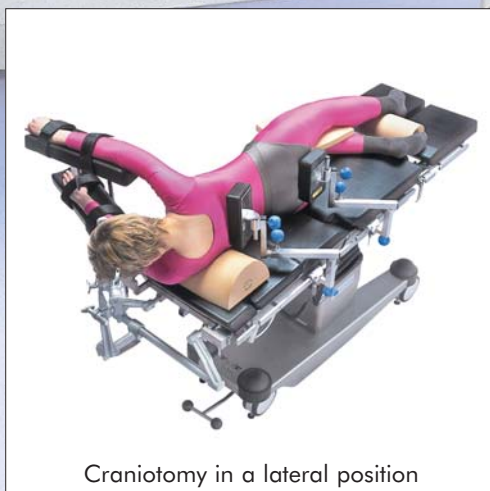
- Neurosurgery



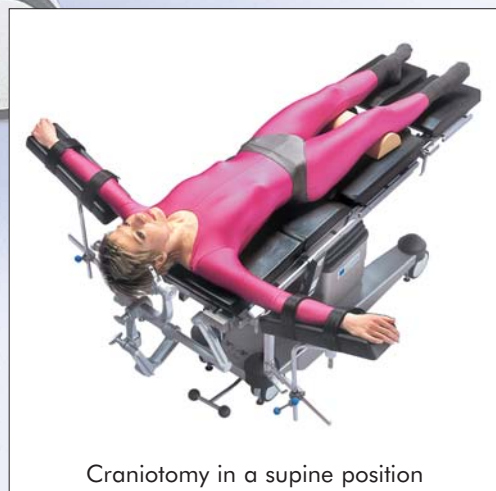
Craniotomy semi-seated



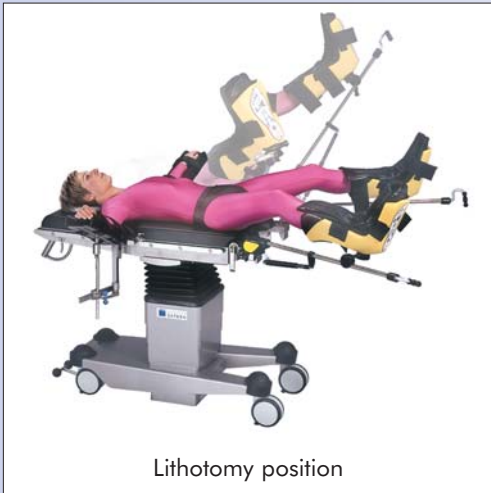
Craniotomy in the prone position



Craniotomy in a lateral position



Craniotomy in a supine position



Lithotomy position

■ Gynaecology and Urology



Lithotomy position



Caesarean position



Urology

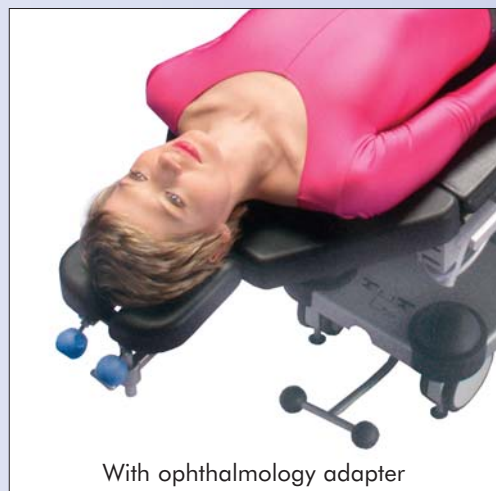


Renal positioning

Patient positioning

Patient positioning

- Ophthalmology/ENT





Recommended accessories

■ General Surgery

1 Arm support 450	4549778
1 Anaesthesia screen	1218820
1 IV pole, with 4 hooks	4544708
1 Body strap, with locking clamps	4544702
1 Universal lateral support	4544720
1 Pad 170	4544722

■ ENT/Ophthalmology

1 Adapter for head positioning	4544785
1 Central holder for head rest system	4544786
1 Connection holder, basic	4544728
1 Head rest, horseshoe-shaped, two parts	4549732
1 Haslinger head rest	4545680

■ Urology/Gynaecology

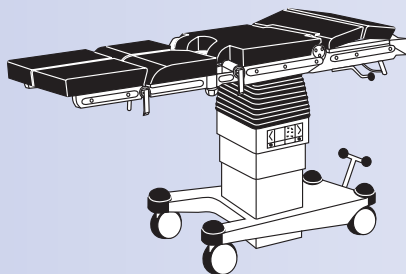
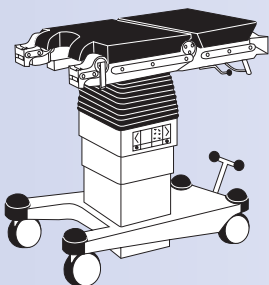
1 Pelvis extension, SATURN Select	4549340
2 Leg holder, Goepel	4544736
2 Clamp, radial setting	1218804
1 Leg section light weight	4544522
1 Drainage bowl adapter, swivel-mounted	4544619
1 Drainage bowl	4544618
1 Leg holder set	1232693

■ Neurosurgery

1 Adapter for head positioning	4544785
1 Basic unit, NEURO	1218970
1 Skull clamp adapter	1218969
1 Head rest, for adults	1218974
1 Skull clamp	1218968
1 Crossbar attachment	4544436
2 Clamp, radial setting	1218804

■ Orthopaedics/Traumatology

OR extension unit SATURN Select V.1 (see page 19 for further information)	1250089
OR extension unit SATURN Select V.2 (see page 19 for further information)	1250090



Mobile modular operating table with electromechanical adjustment of height, tilting, Trendelenburg/Anti-Trendelenburg; manual adjustment of back section (pneumatic spring action up/down) and leg sections; the basic table top consisting of seat section and back section can be extended by combination with modular components according to surgical requirements; integrated body elevator and longitudinal adjustment of the table top, either individually or in combination; control of column functions either over IR remote control, cable remote control or foot switch, additional operating panel integrated flush into the column covering; charging of the maintenance-free batteries being integrated in the column over a separate power pack which may also be used as direct power supply, if needed; Standard rails at the sides of the table for mounting operating theatre accessories; Detachable and electrically conductive, integral foam pads; stable running gear with 4 double-jointed casters, foot lever for brake, directional and free running as well as special V-shaped design for plenty of space for the surgical team's feet; table top frame, column covering, coupling points, standard rails and running gear frame made of disinfectant-resistant, easy-to-clean stainless steel.

Versions 220 V operating voltage

SATURN Select	4549325
SATURN Select L: with longitudinal adjustment	4549326
SATURN Select K: with body elevator	1229193
SATURN Select LK: with longitudinal adjustment and body elevator	1229194

Versions 115 V operating voltage

SATURN Select 115	1229611
SATURN Select L 115: with longitudinal adjustment	1229612
SATURN Select K 115: with body elevator	1229613
SATURN Select LK 115: with longitudinal adjustment and body elevator	1229614

Possible modular components

- Head section with single or double joint
- Leg sections: simple, expandable, 4-part expandable, short, leg section with stretch sheet
- Seat section extension
- Shoulder adaptor 3-part
- Table top segment 130
- Extension unit basic version, complete version

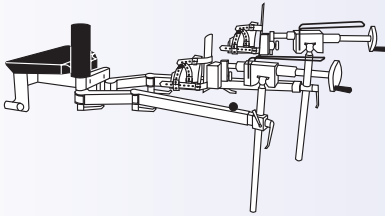
Technical specifications

Height (without pad)	710 – 1,100 mm
Length of table top (with head and leg sections)	2,110 mm
Table width including side rails	580 mm
Longitudinal adjustment	250 mm
Back section up/down	+ 85° / - 40°
Leg sections up/down	± 90°
Trendelenburg/Anti-Trendelenburg	+ 30°
Tilting	± 25°
Drive	motor-driven
Maximum patient weight	225 kg

Technical details

OR extension SATURN Select V.1 / OR extension SATURN Select V.2

Material-No. 1250089 / 1250090

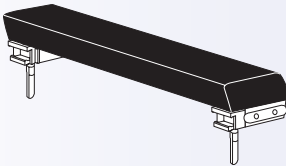


Modular and flexible extension unit for orthopaedics and traumatology; anatomically correct positioning of patients of all sizes; supplied in two basic, pre-configured versions that can be supplemented with numerous additional accessories to meet all requirements; the adapter, extension struts, spindle traction mechanisms and load bearing structure of all accessories made from disinfectant-resistant, easy to clean stainless steel.

	OR extension SATURN Select V.1	OR extension SATURN Select V.2
OR adapter SATURN Select	1 piece 4544342	1 piece 4544342
Support pad	1 piece 4544381	1 piece 4544381
Counter traction post 80	1 piece 4544449	1 piece 4544449
Double joint strut	1 pair 4544466	1 pair 4544466
Extension strut	1 piece 1218831	2 pieces 1218831
Spindle traction mechanism	1 piece 1218832	2 pieces 1218832
Leather extension sandal right		1 piece 1232546
Leather extension sandal left	1 piece 4544790	1 piece 4544790
Radial clamp		1 piece 1218804
Side rail adapter	1 piece 4544165	1 piece 4544165
Side rail	1 piece 4544166	1 piece 4544166
Counter traction post for fibula		1 piece 4544770
Extension strut short		1 piece 4544771
Counter traction post 60		1 piece 4544453
Leg holder, Goepel		1 piece 4544736

Table top segment 130

Material-No. 4549339



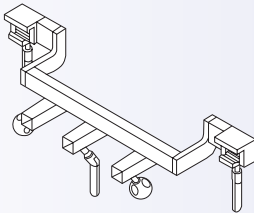
Special module for linking to operating tables and operating table tops; integral foam pad, soft and detachable, stainless steel frame, fully X-ray capable between the spars.

Technical data

Width including side rails	580 mm
Length	130 mm

Adapter for head positioning

Material-No. 4544785



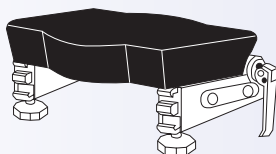
Adaptation to the coupling points for mounting head rests and neurosurgical accessories; made of disinfectant-resistant and easy-to-clean stainless steel.

Technical data

Dimension	505 mm x 160 mm
-----------	-----------------

Pelvis section extension SATURN Select

Material-No. 4549340



Special module for extending the length of the radiolucent area, especially suitable for urology; manually adjustable leg section joints, integrated x-ray cassette rails, pads integrally foamed, electrically conductive, soft and detachable; outer bearing structure made from disinfectant-resistant, easy to clean stainless steel.

Technical data

Length	250 mm
Width including side rails	580 mm
Pad width	525 mm

TRUMPF**Medizin Systeme GmbH + Co. KG**

Benzstrasse 26
82178 Puchheim
Germany
Telephone +49 (0) 89 / 8 09 07-0
Telefax +49 (0) 89 / 8 09 07-20
e-mail info@de.trumpf-med.com
www.trumpf-med.com

TRUMPF Medizin Systeme GmbH

Carl-Zeiss-Strasse 5
07318 Saalfeld
Germany
Telephone +49 (0) 36 71 / 5 86-0
Telefax +49 (0) 36 71 / 5 86-1 65
e-mail info@de.trumpf-med.com
www.trumpf-med.com

TRUMPF MED ITALIA s.r.l.

Via C. Battisti, 31/C
35010 Limena – PD
Italy
Telephone +39 0 49 - 8 84 38 00
Telefax +39 0 49 - 8 84 11 24
e-mail areaclienti@it.trumpf-med.com
www.it.trumpf-med.com

TRUMPF AMSA SAS

146, Bd Charcot
BP 477
63013 Clermont-Ferrand cedex 1
France
Telephone +33 (0) 4 73 19 50 50
Telefax +33 (0) 4 73 37 29 31
e-mail trumpf-amsa@trumpf-amsa.com
www.fr.trumpf-med.com

TRUMPF Medical Systems Ltd.

The Granary Pinkney Park
Malmesbury · Wiltshire · SN16 0NX
Great Britain
Telephone +44 (0) 16 66 84 10 01
Telefax +44 (0) 16 66 84 10 08
e-mail info@trumpf-med.co.uk
www.uk.trumpf-med.com

TRUMPF Medical Systems, Inc.

415 Jessen Lane
Charleston, SC 29492
USA
Telephone +1 (843) 5 34 06 06
Telefax +1 (843) 5 34 02 06
e-mail info@us.trumpf-med.com
www.us.trumpf-med.com

TRUMPF**Medizin Systeme GmbH & Co. KG
(Singapore)**

3791 Jalan Bukit Merah #09-21
Singapore 159471
Telephone +65 62 72 - 78 68
Telefax +65 62 75 - 78 68
e-mail sales@sg.trumpf-med.com
www.sg.trumpf-med.com

TRUMPF**Medical Systems Ltd.**

Shanghai Representative Office
11H, Century Ba-Shi Building
398 Huai Hai Zhong Road
Shanghai 200020
P.R. China
Telephone +86 21 63 85 10 38
Telefax +86 21 63 85 16 60
e-mail info@cn.trumpf-med.com
www.trumpf-med.com

**TRUMPF**