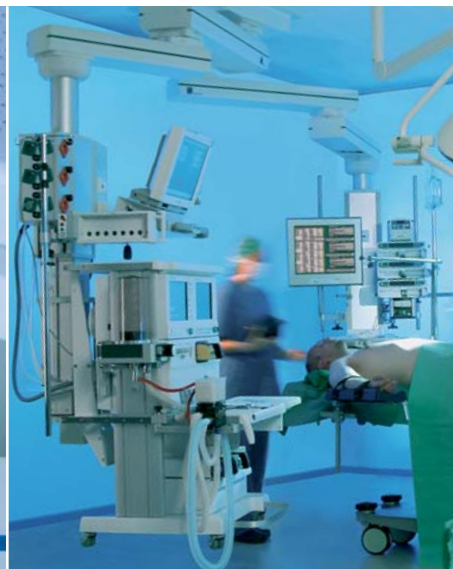


# TRUMPF

Intelligent technology  
for high-performance medicine



INNOVATIONS FOR PATIENT CARE



## TRUMPF System heads – variable, modular, versatile

### Ergonomic, tidy and clean

The TRUMPF system head creates a clean, neat and tidy workstation, makes the nursing staff's hard work easier and optimizes safe patient care

### Variable system head lengths

The six system heads provide a length of 250 to 1,750 mm as basis for any required applications

### Individually fitted

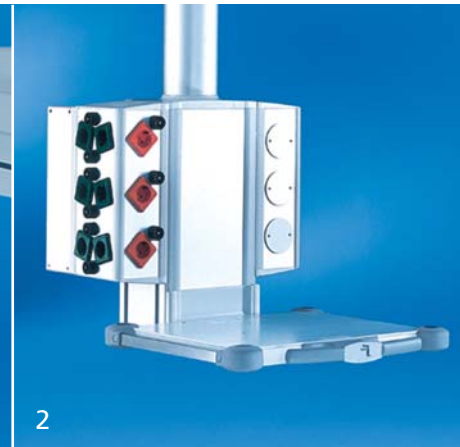
with sockets for gas and electricity as well as communication systems and IT connections (respective national standard)

### Tidy layout of cables

due to media connections right beside the equipment

### Modular accessories

enable an individual workstation design under ergonomic considerations



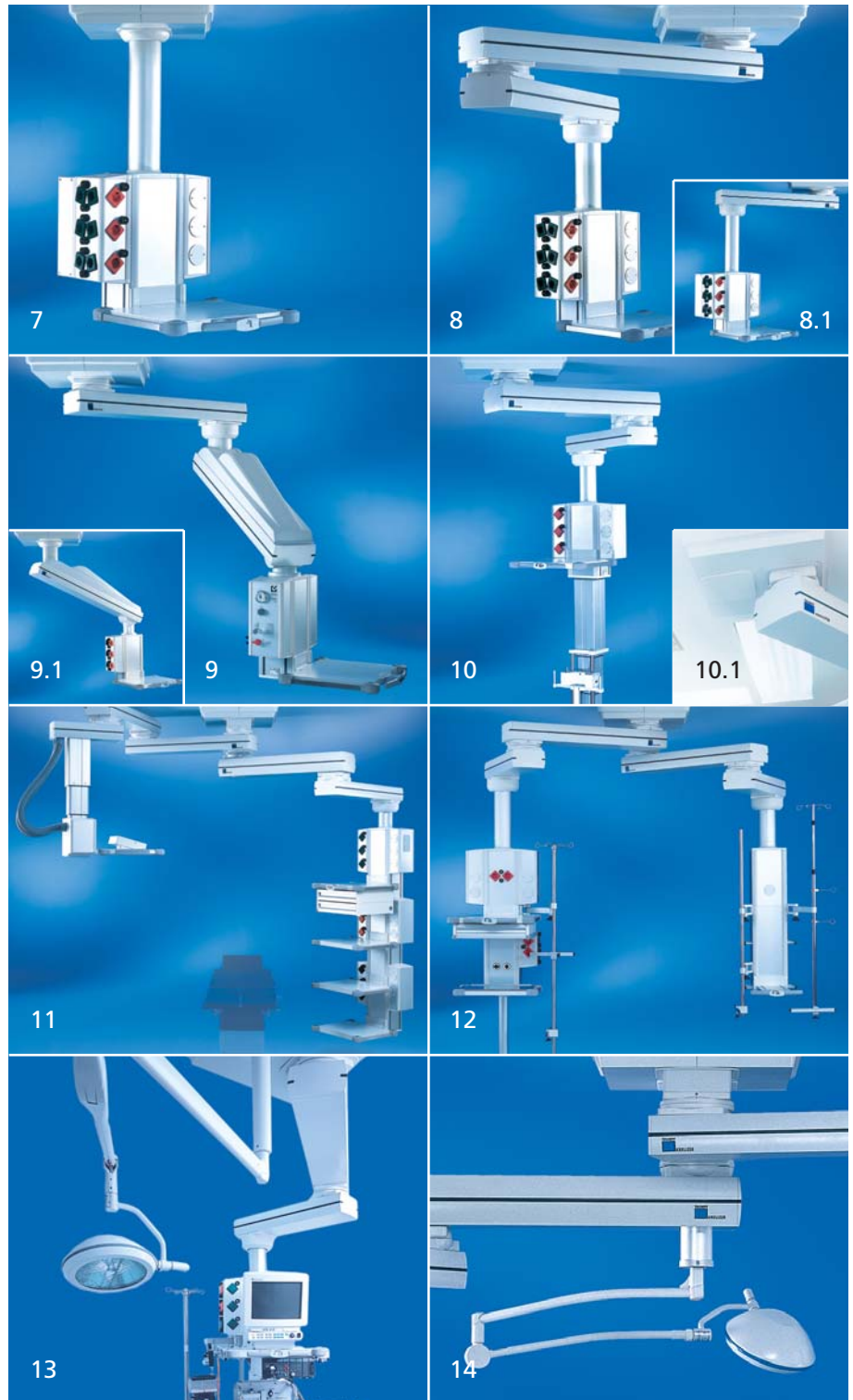
- 1 System head 250 mm
- 2 System head 500 mm
- 3 System head 1,000 mm
- 4 System head 1,750 mm
- 5 Media integration
- 6 Range of accessories:  
e.g. fold-out keyboard drawer  
for the PDMS workstation

### Making optimum use of the room

TRUMPF ceiling mounted support systems are customized to the individual needs of every client. Different lengths of swivel arms can be installed according to operative range and room conditions. This helps to reach different positions in the room according to your needs.

### TRUMPF ceiling solutions offer:

- Widest swivel ranges and highest loads
- One- and two-armed ceiling mounted support systems with swivel arms of different lengths: 600/865/1,130/1,300 mm
- One- and two-armed height-adjustable ceiling mounted support systems
- Ceiling mounted support systems with telescope column and motor-driven height adjustment for the integration of e.g. anaesthesia units
- Tandem ceiling mounted support systems provide individual solutions for extreme requirements



- 7 Solo ceiling mounted support system: Turning the system head on its axis
- 8 Solo ceiling mounted support system: one- / two-armed
- 9 Solo ceiling mounted support system: one- / two-armed, height-adjustable
- 10 Solo ceiling mounted support system: one- / two-armed, incl. height-adjustable telescope column
- 10.1 Solo ceiling mounted support system: one- / two-armed, ready for tandem build-on
- 11 Tandem ceiling mounted support system: monitor side with fitted horizontal swivel arm for optimum headroom
- 12 Tandem ceiling mounted support system: arrangement of swivel arms on several levels for collision-free positioning of system heads
- 13 Tandem ceiling mounted support system in combination with operation lamp
- 14 Examination lamp integrated into horizontal swivel arm

**Ergonomic operating element**

with integrated operating buttons for safe and easy positioning of the ceiling mounted support system (fig. 15)



**Injury protection**

by means of integrated edge protection at all shelves (fig. 16)

**Operating elements always in the right position**

as desired at the front or rear side of the system head according to requirement (fig. 17.1 and 17.2)



**Individual positioning of equipment**

by variable height adjustment of equipment shelves (fig. 18)

**Versatile adjustment of equipment**

due to depth-adjustable equipment shelves (fig. 19)



**Individual arrangement of equipment**

due to equipment shelves with different dimensions of storage areas, if required, with integrated elements for equipment tilting (fig. 20)



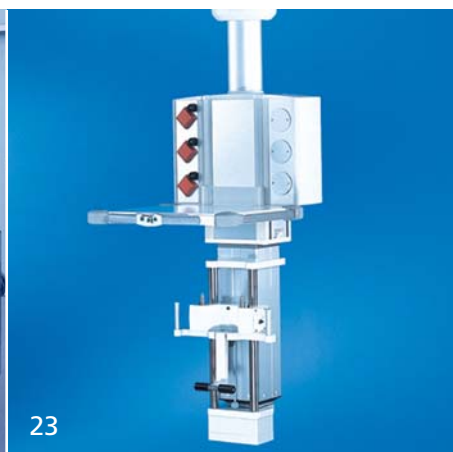
**Modular accessories**

e.g. equipment shelves (to be mounted at front or rear side of the system head) with integrated equipment rails and concealed cable conduits, drawers etc. (fig. 21 and 22)





22



23



24



25



26



27

### Medical cockpit

Versatile and safe layout of workstation by integration of anaesthesia and monitoring equipment of different manufacturers. The anaesthetist grasps the important information at a glance and is able to concentrate on the patient.

- Safe and comfortable handling by equipment integration with ground clearance
- Widest operating radii at highest load and stability
- The self-centering double-pin carrier with integrated safety switch ensures safe adaptation of the anaesthesia equipment

### Integration of mobile respirators

The modular docking equipment trolley and special docking modules turn the respirator into an integral part of the ceiling mounted support system.

- The media connections are not impaired by the mechanical coupling when the position is changed
- Adaptation shelves for safely connecting the respirators of different manufacturers with the docking equipment trolley
- Safe positioning of the entire system

- 22 *Medical cockpit: fully fitted ceiling mounted support system for anaesthesia*
- 23 *Two-armed solo ceiling mounted support system with motor-driven height-adjustable sub-system head*
- 24 *Self-centering double-pin carrier*
- 25 *Intensive workstation with mobile respirator and docking equipment trolley*
- 26 *Sub-system head / docking modules for equipment trolley*
- 27 *Modular docking equipment trolley, height-adjustable*



### Compact swivel arms

with big inside sections also in the joints enable safe and protected supply of gases, electricity, communication, data and video lines

### Unique Active Brake System

Mechanically braked in non-operation, compressed air is only used for releasing the brakes – in case of failure of compressed air supply the working position will not be changed

### Individual swivel ranges

The swivel ranges can be adjusted to the particular situation; the stops are damped

### Maintenance-free rolling bearings

by lifetime lubrication in the rotary joints

### Modular accessories

T-slots for safe fitting of modular accessories

### Quality features

30 years of experience and internal quality assurance according to TQM (Total Quality Management)



28 *Wear-free rolling bearings*

31 *Unique brake concept*

32 *Thorough planning and careful selection of material with a structural analysis (FEM Finite Element Method)*

### TRUMPF Medical Systems Ltd.

The Granary Pinkney Park  
 Malmesbury · Wiltshire · SN16 0NX  
 Great Britain  
 Telephone +44 (0) 16 66 84 10 01  
 Telefax +44 (0) 16 66 84 10 08  
 e-mail info@trumpf-med.co.uk  
 www.uk.trumpf-med.com

### TRUMPF

#### Medizin Systeme GmbH + Co. KG

Benzstrasse 26  
 82178 Puchheim  
 Germany  
 Telephone +49 (0) 89/8 09 07-0  
 Telefax +49 (0) 89/8 09 07-20  
 e-mail info@de.trumpf-med.com  
 www.trumpf-med.com

### TRUMPF

#### Medizin Systeme GmbH & Co. KG (Singapore)

3791 Jalan Bukit Merah #09-21  
 Singapore 159471  
 Telephone +65 62 72 - 78 68  
 Telefax +65 62 75 - 78 68  
 e-mail sales@sg.trumpf-med.com  
 www.sg.trumpf-med.com

